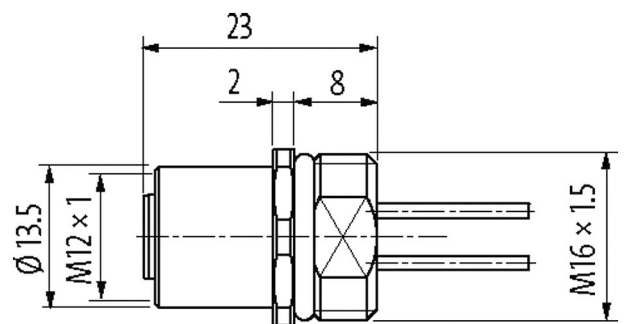
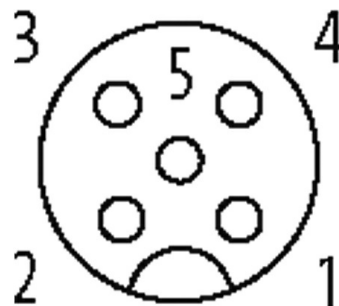


M12 female receptacle A-cod. front mount

PVC-wires 5X0.34 0.2m

Flange female
M12, 5-pole
Front mounting
with multi-strand wire**Illustration**

Female



Product may differ from Image

Approvals

**Form**

Form 13561

Cables

Cable number	902
No./diameter of wires	5 × 0.34 mm ²
Wire isolation	PVC (br, wh, bl, bk, gr)
Outer Ø	1.4 mm ±5%
Bend radius (fixed)	5 × outer Ø
Temperature range (fixed)	-40...+105 °C
Temperature range (mobile)	-5...+105 °C

Technical Data

Operating voltage	max. 125 V AC/DC
Rated surge voltage	1.5 kV
Operating current per contact	max. 4 A
No. of poles	5
Material group	IEC 60664-1, category I
Coding	A-coded
LED display	no
Locking of ports	Screw thread (M12×1 mm) recommended torque 0.6 Nm, self-securing
Compression gland	M12 (SW14)
Protection	IP67 inserted and tightened (EN 60529)
Protection NEMA	3, 4, 6P (UL 50E)
Material	Zinc die casting, brass-plated
Locking material	Zinc die casting, brass-plated

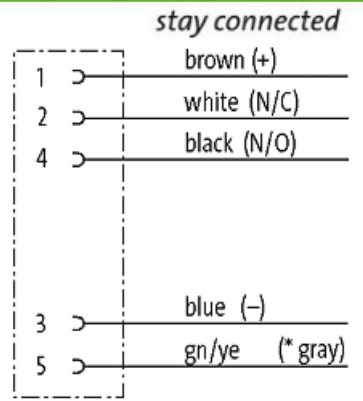
General data

Standards	DIN EN 61076-2-101 (M12)
Material (contact)	Copper alloy
Material (contact surface)	Au
Material (gasket)	FKM
Pollution Degree	3
Temperature range	-25...+85 °C

Commercial data

country of origin	DE
customs tariff number	85444290
EAN	4048879295161
eClass	27279220
Packaging unit	1

Sketch



(* for cable type 902, 972)

Product may differ from Image